



TRUCK MOUNTED CRANE

# RHINO BS 110

Exceptional Precision and Superior Lifting Capacity



[www.rhinocrane.my](http://www.rhinocrane.my)

# GALLERY



# THE ONLY LIGHT DUTY CRANE WITH HYDRAULIC STABILIZER



**Secure an exclusive level of safety and stability with Rhino Crane Malaysia, setting a benchmark in crane solutions.**

Rhino Crane Malaysia stands as the exclusive Truck Mounted Crane designed for trucks with 7,500 kg and below equipped with a pre-installed hydraulic stabilizer featuring an impressive 1,350 mm extension on both sides.

In contrast, competing brands typically offer stabilizers with extensions ranging from only 500 mm to 700 mm.

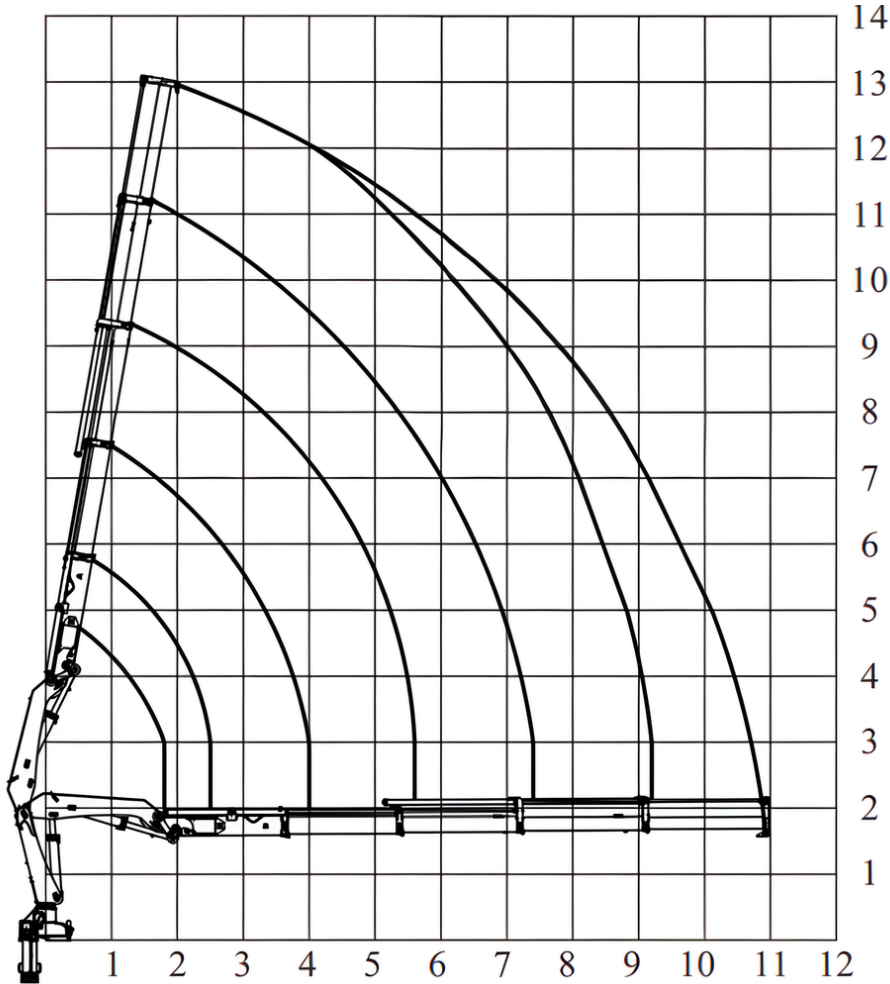
The rationale behind Rhino Crane's design choice is rooted in a commitment to prioritize safety, operational smoothness, and overall stability. This deliberate approach underscores Rhino Crane's dedication to delivering a superior and secure crane operation experience.

## STANDARD FEATURE

- Design in accordance with EN12999
- Built with High Tensile Steel
- Hydraulic Stabilizer
- Wide Width Stabilizer (1350 mm + 1350 mm)
- European made Load Holding Valves
- Directional Control Valve
- Power Linkage
- Oil Tank
- Assembly Kit



# LOAD DIAGRAMS



## BS 110-2

M	1.9	3.0	5.3	7.2
Kg	5,050	3,200	1,786	1,285

## BS 110-3

M	1.9	3.0	5.5	7.3	9.1
Kg	5,000	3,120	1,650	1,200	951

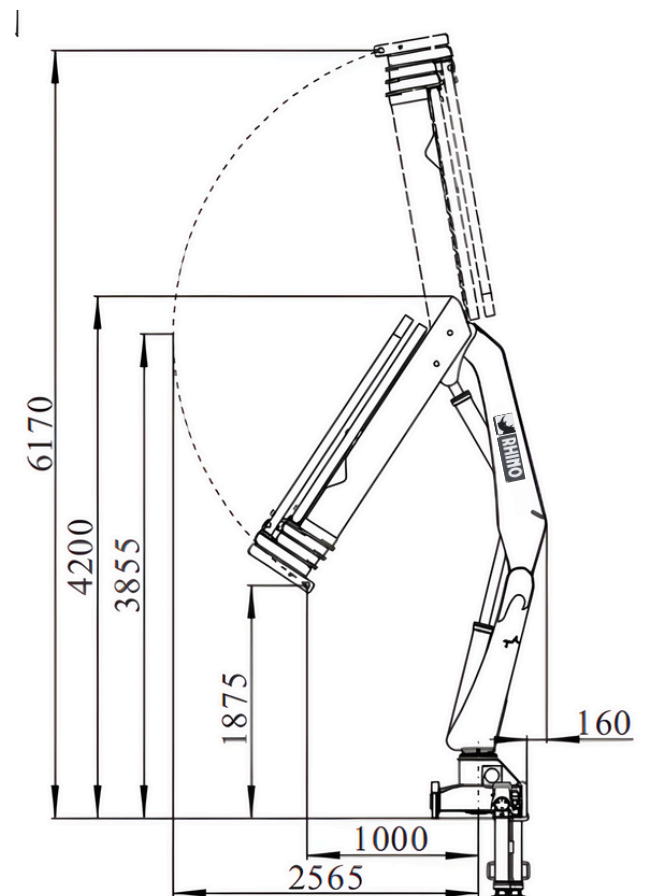
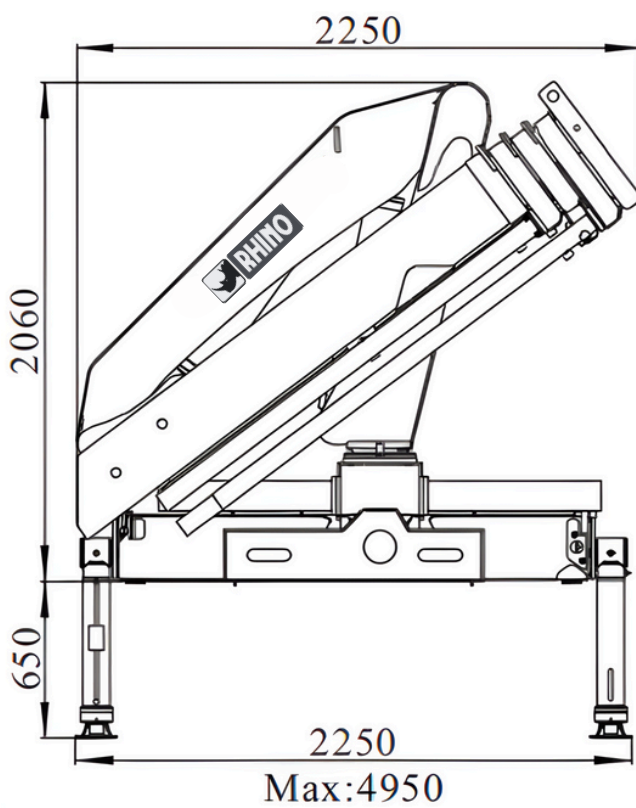
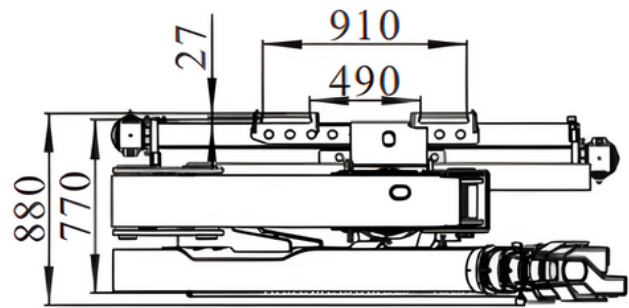
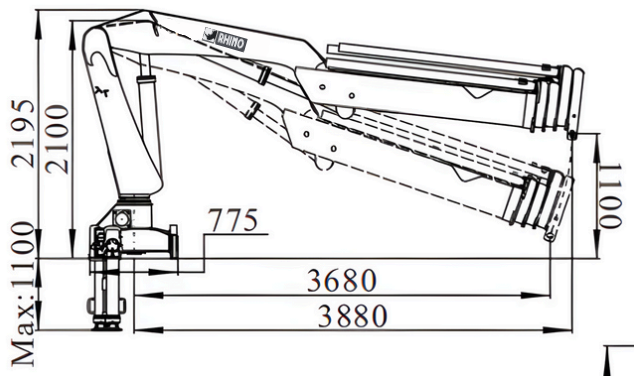
## BS 110-4

M	1.92	3.0	5.6	7.4	9.2	10.9
Kg	5,000	3,035	1,540	1,100	872	710

\*) Theoretical Lifting Capacity

\*\*\*) Manufacturer reserves the right to alter or amend the design, model and specification without prior notice.

# DIMENSIONS



# TECHNICAL SPECIFICATIONS

	RHINO BS 110 - 2	RHINO BS 110 - 3	RHINO BS 110 - 4
Lifting Capacity (tm)	10.6	10.4	10.2
Slewing Angle (°)	385	385	385
Pressure (bar)	320	320	320
Oil Tank Capacity (L)	80	80	80
Pump Capacity (l/min)	30 - 45	30 - 45	30 - 45
Stabilizer Spread (mm)	1,350 + 1,350	1,350 + 1,350	1,350 + 1,350
Crane Weight with Stabilizer (kg)	1,820 ± 5%	1,920 ± 5%	2,020 ± 5%

# ACCESSORIES


**RADIO REMOTE CONTROL**

**WINCH**

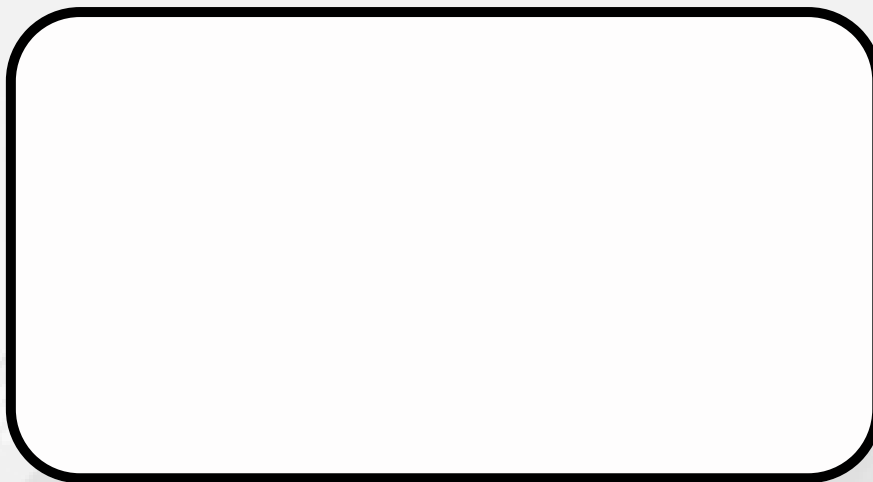
**BUCKET**


**REAR STABILIZER**


**ROTATOR**



**RHINO MACHINERY SDN BHD**  
**(1097988-X)**



 +603-6038 6866

 +6019-279 8373 / +6016-210 1461

 rhinomachinery.co@gmail.com

 www.rhinocrane.my