



TRUCK MOUNTED CRANE

# RHINO BS 080

Exceptional Precision and Superior Lifting Capacity



[www.rhinocrane.my](http://www.rhinocrane.my)

# GALLERY



# THE ONLY LIGHT DUTY CRANE WITH HYDRAULIC STABILIZER



1350 mm on each side

**Secure an exclusive level of safety and stability with Rhino Crane Malaysia, setting a benchmark in crane solutions.**

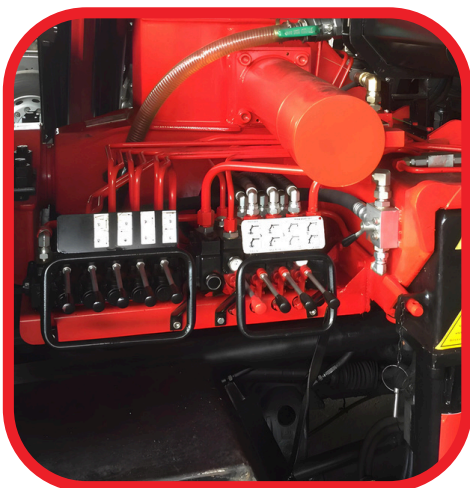
Rhino Crane Malaysia stands as the exclusive Truck Mounted Crane designed for trucks with 7500kg and below equipped with a pre-installed automated hydraulic stabilizer featuring an impressive 1350mm extension on both sides.

In contrast, competing brands typically offer stabilizers with extensions ranging from only 500mm to 700mm.

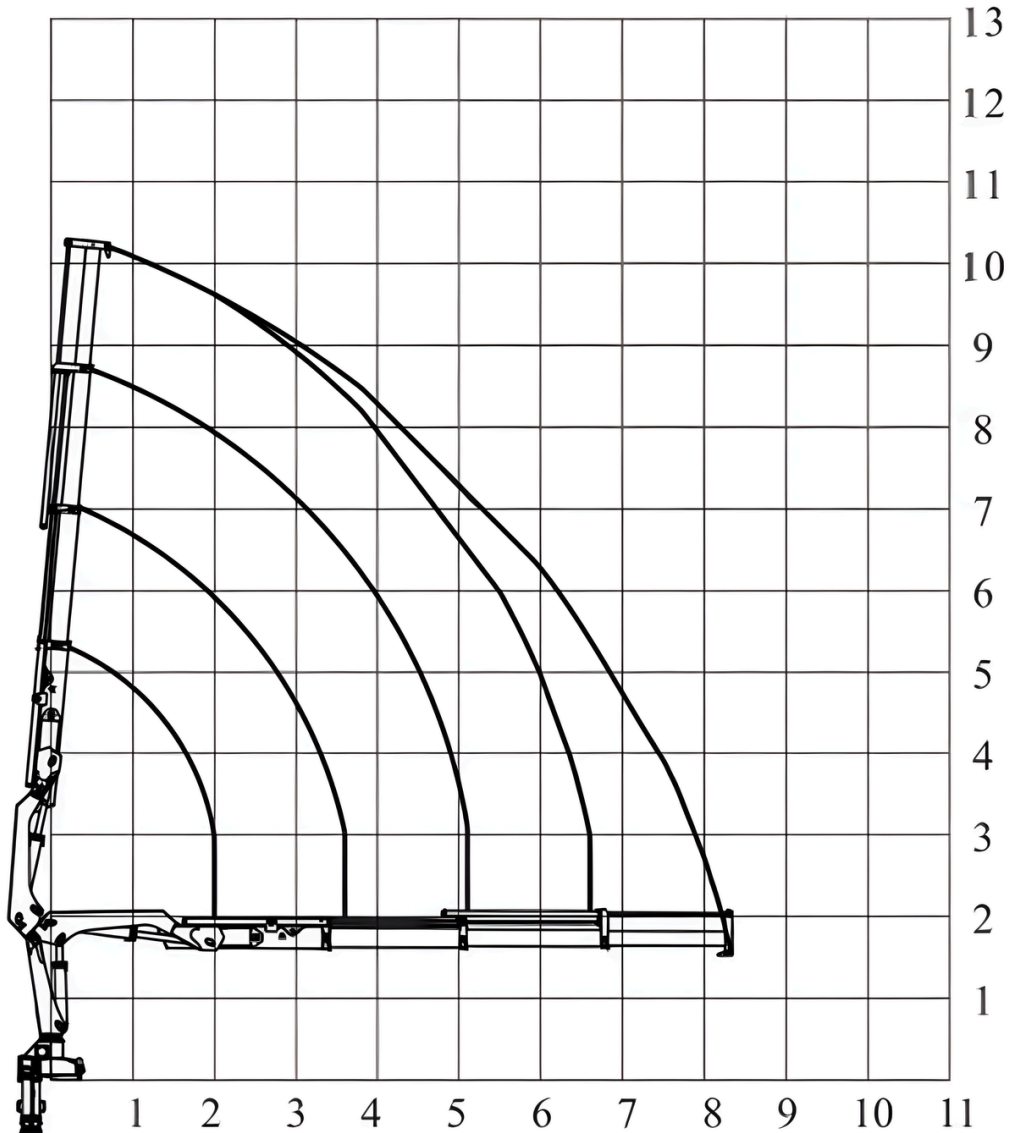
The rationale behind Rhino Crane's design choice is rooted in a commitment to prioritize safety, operational smoothness, and overall stability. This deliberate approach underscores Rhino Crane's dedication to delivering a superior and secure crane operation experience.

## STANDARD FEATURE

- Design in accordance with EN12999
- Built with High Tensile Steel
- Hydraulic Stabilizer
- Wide Width Stabilizer (1350 mm + 1350 mm)
- European made Load Holding Valves
- Directional Control Valve
- Power Linkage
- Oil Tank
- Assembly Kit



# LOAD DIAGRAMS



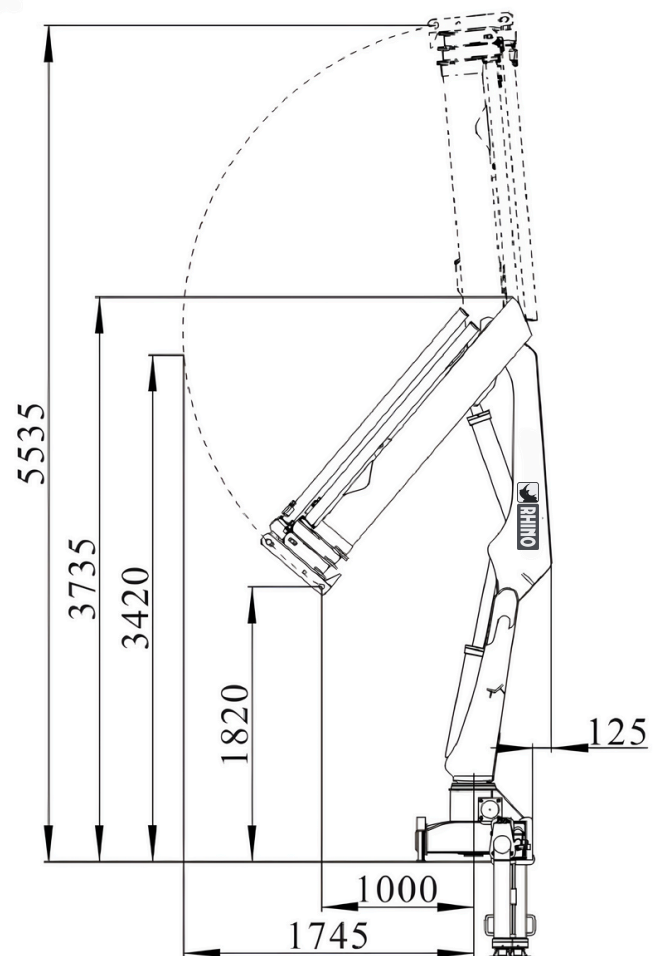
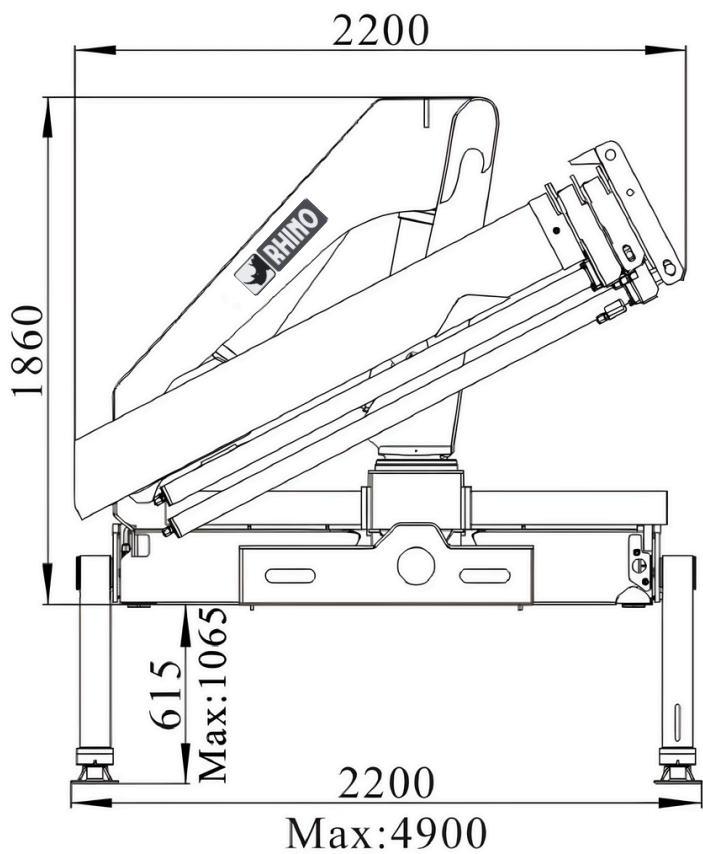
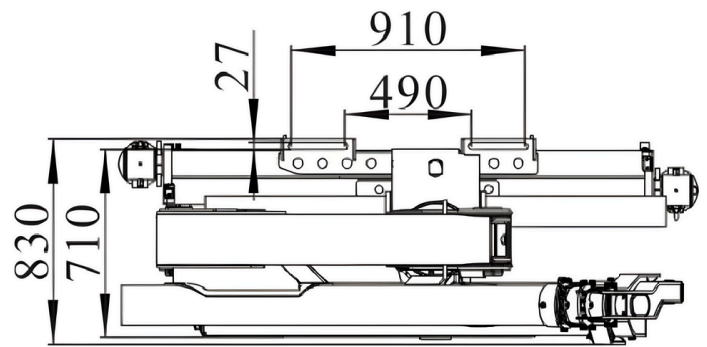
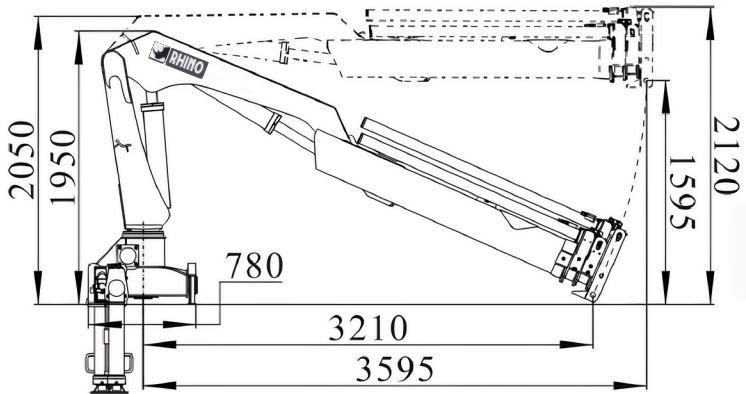
## BS 080-2

M	1.9	3.0	4.5	6.6
Kg	4,000	2,645	1,763	1,166

## BS 080-3

M	1.9	3.0	4.5	6.6	8.3
Kg	4,000	2,547	1,698	1,106	831

# DIMENSIONS



# TECHNICAL SPECIFICATIONS

	<b>RHINO BS 080 - 2</b>	<b>RHINO BS 080 - 3</b>
Lifting Capacity (tm)	<b>7.95</b>	<b>7.75</b>
Slewing Angle (°)	<b>385</b>	<b>385</b>
Pressure (bar)	<b>320</b>	<b>320</b>
Oil Tank Capacity (L)	<b>70</b>	<b>70</b>
Pump Capacity (l/min)	<b>30 - 40</b>	<b>30 - 40</b>
Stabilizer Spread (mm)	<b>1,350 + 1,350</b>	<b>1,350 + 1,350</b>
Crane Weight with Stabilizer (kg)	<b>1,505 ± 5%</b>	<b>1,605 ± 5%</b>

# ACCESSORIES


**RADIO REMOTE CONTROL**

**WINCH**

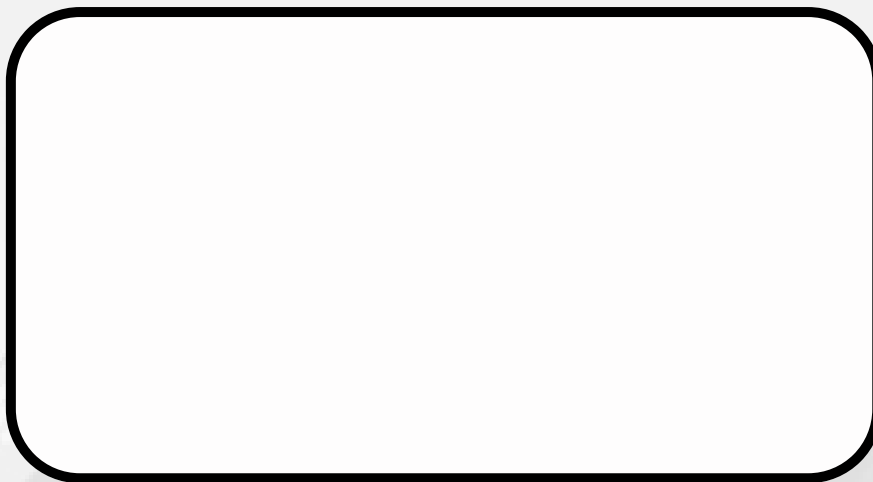
**BUCKET**


**REAR STABILIZER**


**ROTATOR**




**RHINO MACHINERY SDN BHD**  
**(1097988-X)**



 +603-6038 6866

 +6019-279 8373 / +6016-210 1461

 rhinomachinery.co@gmail.com

 www.rhinocrane.my